

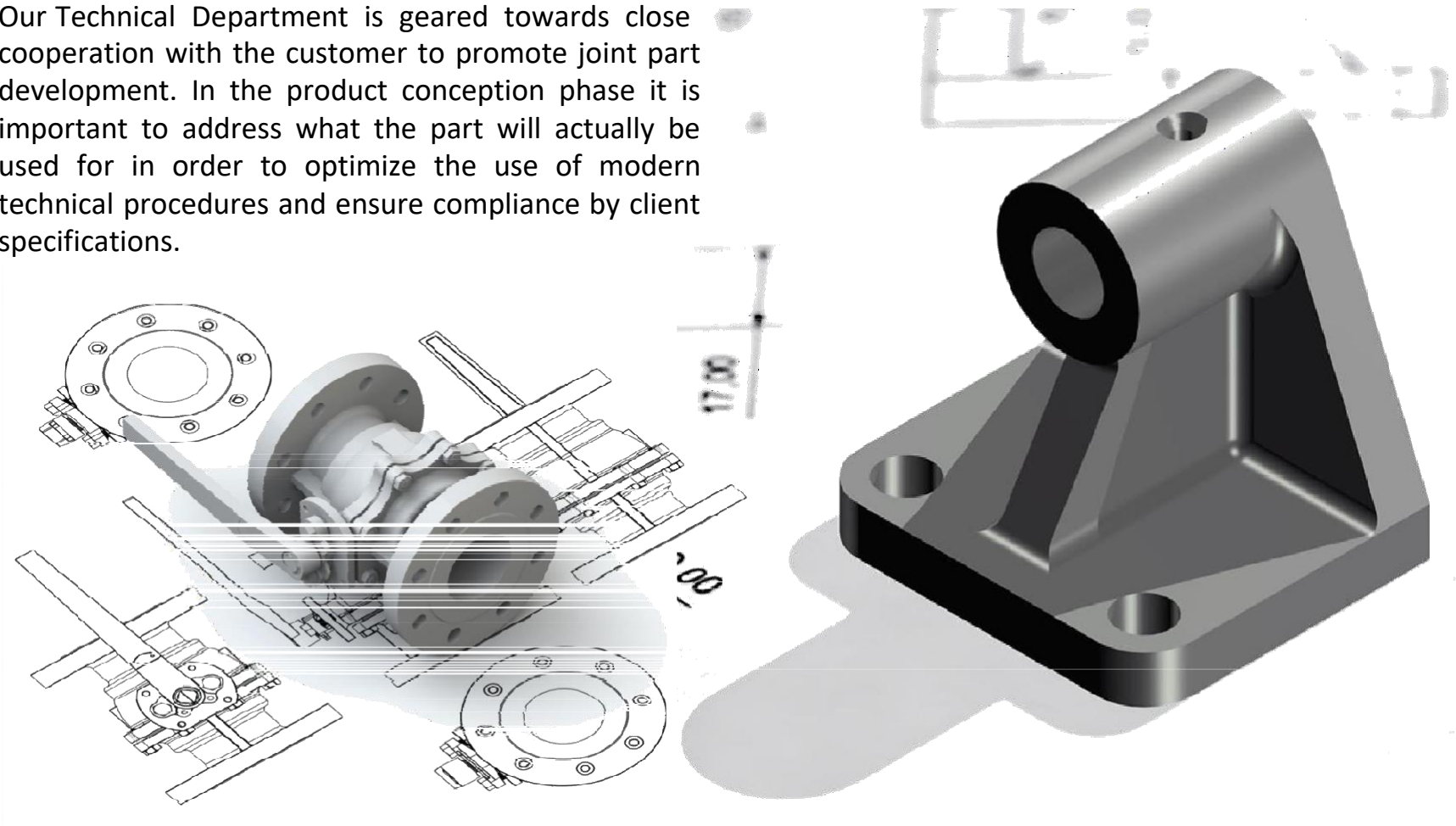
# AMPLE ALLOYS

Pipe Fittings Manufacturers and  
Exporters

[amplealloys.com](http://amplealloys.com)

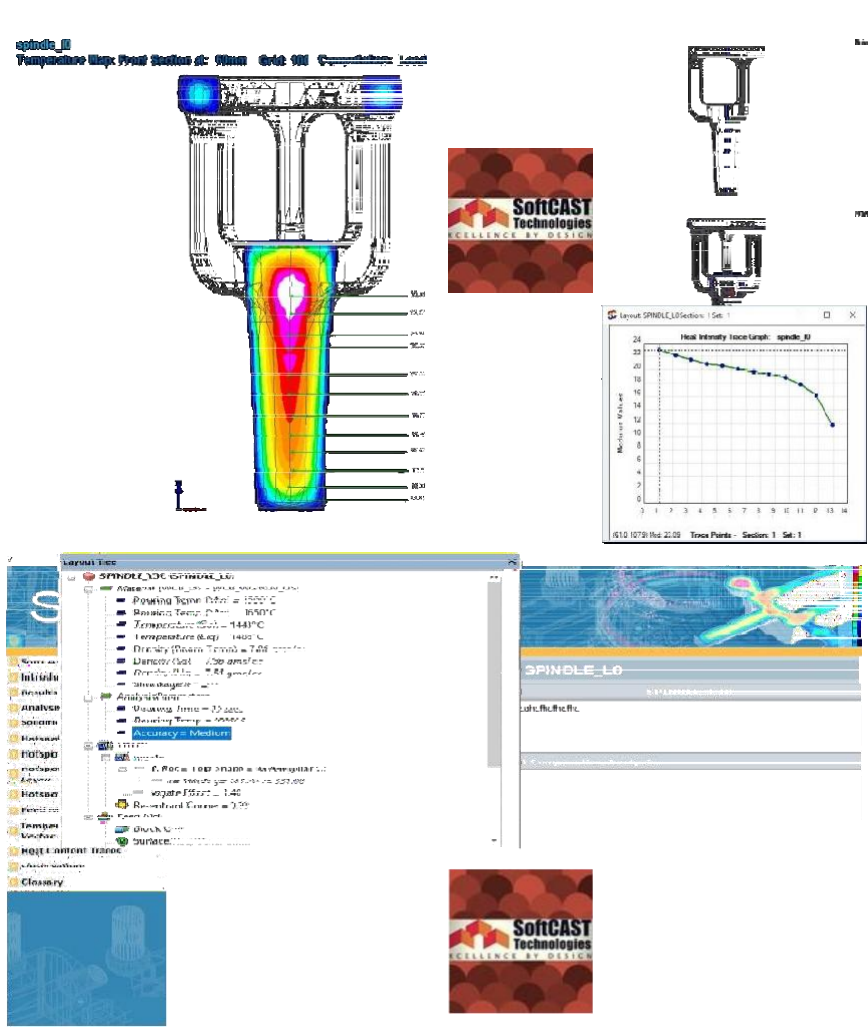
# Technical Department:

Our Technical Department is geared towards close cooperation with the customer to promote joint part development. In the product conception phase it is important to address what the part will actually be used for in order to optimize the use of modern technical procedures and ensure compliance by client specifications.



# Casting Simulation :




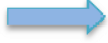
Our Engineering department analyses the casting design for feasibility through Simulation software “**SoftCAST V4.4 IC**”. Once method design is finalized, parameters of the internal processes shall be recorded in corresponding Technical Data Card (TDC). Once results of the output castings are verified, the process parameters shall be frozen and same shall be utilized in serial production.







## Fittings Product Details

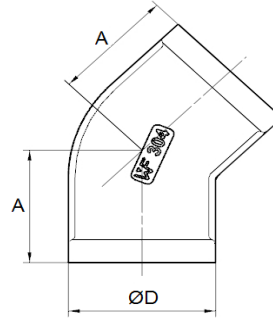
<b>Size:-</b>	1/8" To 6"
<b>Pressure Rating:-</b>	ANSI CLASS 150
<b>Material:-</b> 	Stainless Steel 300 Series
	Duplex and super Duplex
	Nickel base Alloys
	Cobalt base Alloys
<b>Standard :-</b>	ANSI B16.3, Threads to ANSI B2.1
<b>Thread Type:-</b>	NPT, BSPT, BSP, ISO METRIC

## 45° ELBOW

Class :- 150

Size: - 1/8" ~ 6"

Thread Type: - BSP, NPT



**Main Size:**

**Unit: MM**

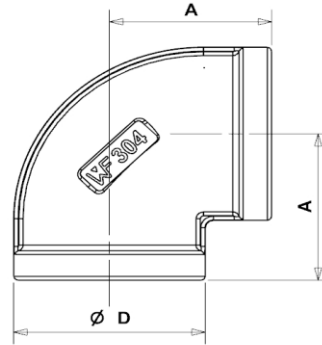
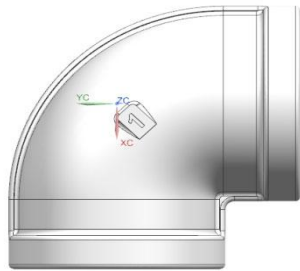
Size	DN	ØD	A
1/4"	8	21.4	18.5
3/8"	10	35.8	20.3
1/2"	15	30.4	22.4
3/4"	20	37	24.9
1"	25	45	28.5
1-1/4"	32	54.7	32.8
1-1/2"	40	61.6	36.3
2"	50	75.3	42.7
2-1/2"	65	91.2	49.5
3"	80	108.8	55.1
3-1/2"	90	123	60.7
4"	100	137.2	66.3
5"	125	167.2	77.5
6"	150	197.3	87.9

## 90° ELBOW

Class :- 150

Size: - 1/8" ~ 6"

Thread Type: - BSP, NPT



**Main Size:**

**Unit: MM**

Size	DN	ØD	A
1/8"	6	17.6	17.5
1/4"	8	21.4	20.6
3/8"	10	35.8	24.1
1/2"	15	30.4	28.5
3/4"	20	37	33.3
1"	25	45	38.1
1-1/4"	32	54.7	44.5
1-1/2"	40	61.6	49.3
2"	50	75.3	57.2
2-1/2"	65	91.2	68.6
3"	80	108.8	78.2
3-1/2"	90	123	86.9
4"	100	137.2	96.3
5"	125	167.2	114.3
6"	150	197.3	130.3

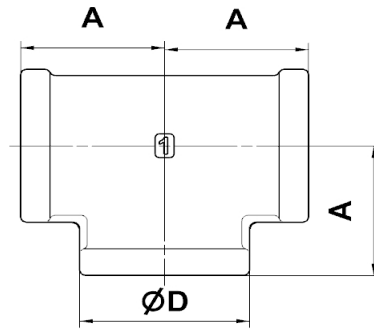
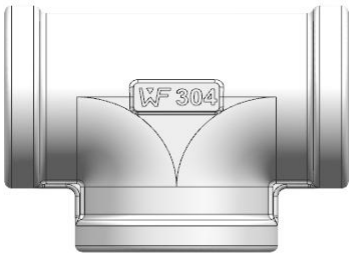


# TEE

Class :- 150

Size: - 1/8" ~ 6"

Thread Type: - BSP, NPT



**Main Size:**

**Unit: MM**

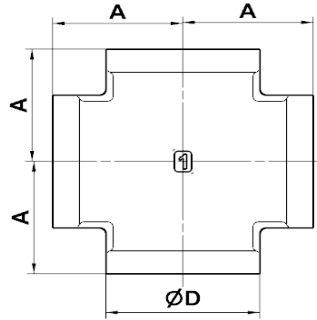
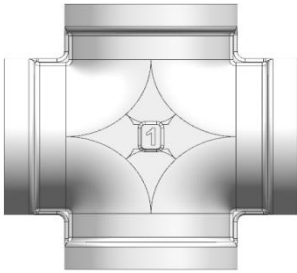
Size	DN	ØD	A
1/8"	6	17.6	17.5
1/4"	8	21.4	20.6
3/8"	10	35.8	24.1
1/2"	15	30.4	28.5
3/4"	20	37	33.3
1"	25	45	38.1
1-1/4"	32	54.7	44.5
1-1/2"	40	61.6	49.3
2"	50	75.3	57.2
2-1/2"	65	91.2	68.6
3"	80	108.8	78.2
3-1/2"	90	123	86.9
4"	100	137.2	96.3
5"	125	167.2	114.3
6"	150	197.3	130.3

# CROSS

Class :- 150

Size: - 1/8" ~ 6"

Thread Type: - BSP, NPT



**Main Size:**

**Unit: MM**

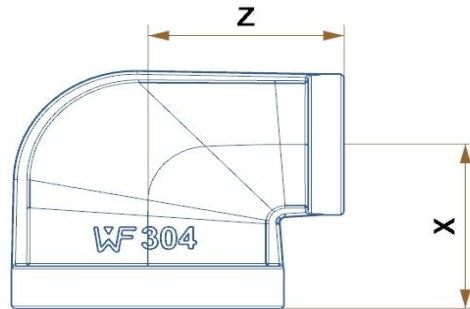
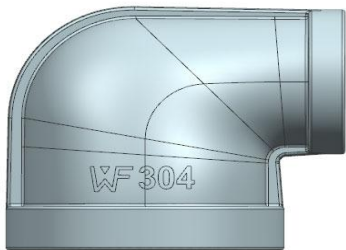
Size	DN	ØD	A
1/8"	6	17.6	17.5
1/4"	8	21.4	20.6
3/8"	10	35.8	24.1
1/2"	15	30.4	28.5
3/4"	20	37	33.3
1"	25	45	38.1
1-1/4"	32	54.7	44.5
1-1/2"	40	61.6	49.3
2"	50	75.3	57.2
2-1/2"	65	91.2	68.6
3"	80	108.8	78.2
3-1/2"	90	123	86.9
4"	100	137.2	96.3
5"	125	167.2	114.3
6"	150	197.3	130.3

# REDUCING ELBOW

Class :- 150

Size: - 1/8" ~ 6"

Thread Type: - BSP, NPT



**Main Size:**

**Unit: MM**

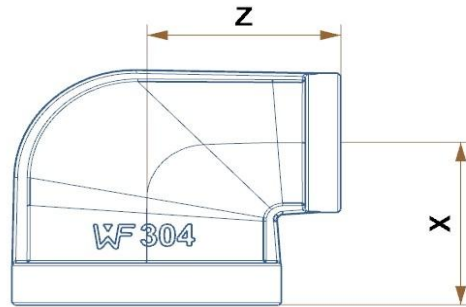
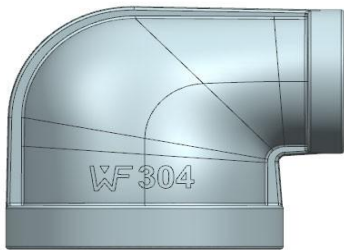
Size	X	Z
1/4" X 1/8"	18.8	19.3
3/8" X 1/4"	22.4	22.9
3/8" X 1/8"	20.5	21.6
1/2" X 3/8"	26.4	26.2
1/2" X 1/4"	24.6	24.9
3/4" X 1/2"	30.5	31
3/4" X 3/8"	28.5	28.7
3/4" X 1/4"	26.7	27.4
1" X 3/4"	34.8	36.8
1" X 1/2"	32	35.5
1" X 3/8"	30	32.3
1-1/4" X 1"	40.1	42.4
1-1/4" X 3/4"	36.8	41.2
1-1/4" X 1/2"	34	38.9
1-1/2" X 1-1/4"	46.2	47.8
1-1/2" X 1"	41.9	45.7

# REDUCING ELBOW

Class :- 150

Size: - 1/8" ~ 6"

Thread Type: - BSP, NPT



**Main Size:**

**Unit: MM**

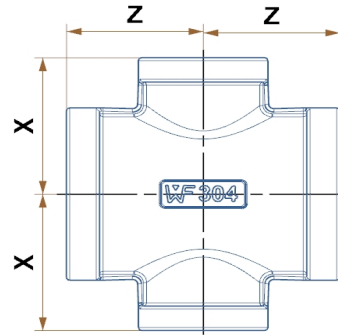
Size	X	Z
1-1/2" X 3/4"	38.6	44.5
2" X 1-1/2"	51.3	54.9
2" X 1-1/4"	48.3	53.3
2" X 1"	43.9	51.3
2" X 3/4"	40.6	50
2-1/2" X 2"	60.7	66
2-1/2" X 1-1/2"	54.9	63.8
3" X 2-1/2"	71.9	75.9
3" X 2"	64	73.4
4" X 3"	83.8	91.4

## REDUCING CROSS

Class :- 150

Size: - 1/8" ~ 6"

Thread Type: - BSP, NPT



**Main Size:**

**Unit: MM**

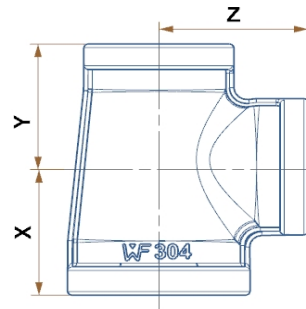
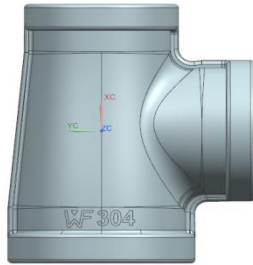
Size	X	Z
3/4" X 3/4" X 1/2" X 1/2"	30.5	31
1" X 1" X 3/4" X 3/4"	34.8	36.8
1" X 1" X 1/2" X 1/2"	32	35.5
1-1/4" X 1-1/4" X 1" X 1"	40.1	42.4
1-1/4" X 1-1/4" X 3/4" X 3/4"	36.8	41.2
1-1/2" X 1-1/2" X 1-1/4" X 1-1/4"	46.2	47.8
1-1/2" X 1-1/2" X 1" X 1"	41.9	45.7
1-1/2" X 1-1/2" X 3/4" X 3/4"	38.6	44.5
2" X 2" X 1-1/2" X 1-1/2"	51.3	54.9
2" X 2" X 1-1/4" X 1-1/4"	48.3	53.3
2" X 2" X 1" X 1"	43.9	51.3
2" X 2" X 3/4" X 3/4"	40.6	50
2-1/2" X 2-1/2" X 2" X 2"	60.7	66
3" X 3" X 2" X 2"	64	73.4

## REDUCING TEE

Class :- 150

Size: - 1/8" ~ 6"

Thread Type: - BSP, NPT



Main Size:

Unit: MM

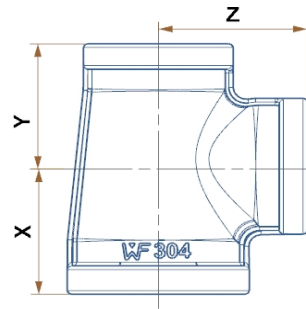
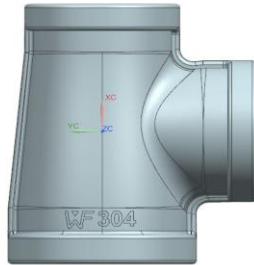
Size	X	Y	Z
1/4 X 1/4 X 1/8	18.8	18.8	19.3
1/8 X 1/8 X 1/4	19.3	19.3	18.8
3/8 X 3/8 X 1/4	22.4	22.4	22.9
3/8 X 3/8 X 1/8	20.6	20.6	21.6
3/8 X 1/4 X 3/8	24.1	22.9	24.1
3/8 X 1/4 X 1/4	22.4	20.6	22.9
1/4 X 1/4 X 3/8	22.9	22.9	22.4
1/2 X 1/2 X 3/8	26.4	26.4	26.2
1/2 X 1/2 X 1/4	24.6	24.6	24.9
1/2 X 3/8 X 1/2	28.5	26.2	28.5
1/2 X 3/8 X 3/8	26.4	24.1	26.2
1/2 X 1/4 X 1/2	28.5	24.9	28.5
3/8 X 3/8 X 1/2	26.2	26.2	26.4
3/4 X 3/4 X 1/2	30.5	30.5	31
3/4 X 3/4 X 3/8	28.5	28.5	28.7
3/4 X 3/4 X 1/4	26.7	26.7	27.4
3/4 X 1/2 X 3/4	33.3	31	33.3
3/4 X 1/2 X 1/2	30.5	28.5	31
3/4 X 1/2 X 3/8	28.5	26.4	28.7
3/4 X 3/8 X 3/4	33.3	28.7	33.3
3/4 X 3/8 X 3/8	28.5	24.1	28.7
3/4 X 1/4 X 3/4	33.3	27.4	33.3

## REDUCING TEE

Class :- 150

Size: - 1/8" ~ 6"

Thread Type: - BSP, NPT



Main Size:

Unit: MM

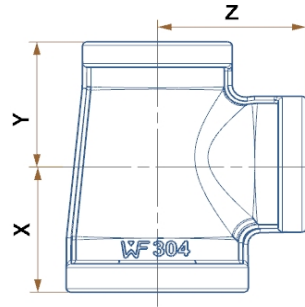
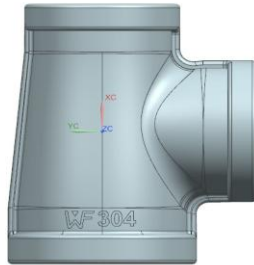
Size	X	Y	Z
1/2 X 1/2 X 3/4	31	31	30.5
1 X 1 X 3/4	34.8	34.8	36.8
1 X 1 X 1/2	32	32	35.5
1 X 1 X 3/8	30	30	32.3
1 X 1 X 1/4	28.2	28.2	31
1 X 3/4 X 1	38.1	36.8	38.1
1 X 3/4 X 3/4	34.8	33.3	36.8
1 X 3/4 X 1/2	32	30.5	35.5
1 X 1/2 X 1	38.1	35.5	38.1
1 X 1/2 X 3/4	34.8	31	36.8
1 X 1/2 X 1/2	32	38.5	35.5
3/4 X 3/4 X 1	36.8	36.8	34.8
1/2 X 1/2 X 1	34.6	34.6	32
1-1/4 X 1-1/4 X 1	40.1	40.1	42.4
1-1/4 X 1-1/4 X 3/4	36.8	36.8	41.2
1-1/4 X 1-1/4 X 1/2	34	34	38.9
1-1/4 X 1-1/4 X 3/8	32	32	36.6
1-1/4 X 1 X 1-1/4	44.5	42.4	44.5
1-1/4 X 1 X 1	40.1	38.1	42.4
1-1/4 X 1 X 3/4	36.8	34.8	41.2
1-1/4 X 1 X 1/2	34	32	38.9

## REDUCING TEE

Class :- 150

Size: - 1/8" ~ 6"

Thread Type: - BSP, NPT



Main Size:

Unit: MM

Size	X	Y	Z
1-1/4 X 3/4 X 1-1/4	44.5	41.2	44.5
1-1/4 X 3/4 X 1	40.1	36.8	42.4
1-1/4 X 3/4 X 3/4	36.8	33.3	41.2
1-1/4 X 1/2 X 1-1/4	44.5	38.9	44.5
1-1/4 X 1/2 X 1	40.1	34.5	42.4
1 X 1 X 1-1/4	42.4	42.4	40.1
3/4 X 3/4 X 1-1/4	41.2	41.2	36.8
1-1/2 X 1-1/2 X 1-1/4	46.2	46.2	47.8
1-1/2 X 1-1/2 X 1	41.9	41.9	45.7
1-1/2 X 1-1/2 X 3/4	38.6	38.6	44.5
1-1/2 X 1-1/2 X 1/2	35.8	35.8	42.2
1-1/2 X 1-1/4 X 1-1/2	49.3	47.8	49.3
1-1/2 X 1-1/4 X 1-1/4	46.2	44.5	47.8
1-1/2 X 1-1/4 X 1	41.9	40.1	45.7
1-1/2 X 1-1/4 X 3/4	38.6	36.3	44.5
1-1/2 X 1-1/4 X 1/2	35.8	34	42.2
1-1/2 X 1 X 1-1/2	49.3	45.7	49.3
1-1/2 X 1 X 1-1/4	46.2	42.4	47.8
1-1/2 X 1 X 1	41.9	38.1	45.7
1-1/2 X 3/4 X 1-1/2	49.3	44.5	49.3
1-1/2 X 1/2 X 1-1/2	49.3	42.2	49.3
1-1/4 X 1-1/4 X 1-1/2	47.8	47.8	46.2
1 X 1 X 1-1/2	45.7	45.7	41.9

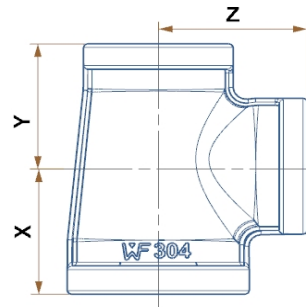
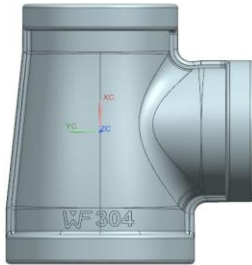


## REDUCING TEE

Class :- 150

Size: - 1/8" ~ 6"

Thread Type: - BSP, NPT



Main Size:

Unit: MM

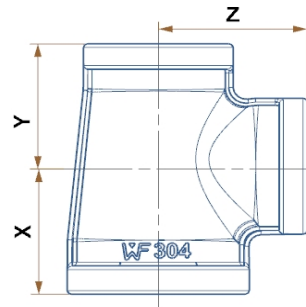
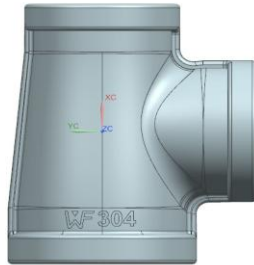
Size	X	Y	Z
2 X 2 X 1-1/2	51.3	51.3	54.9
2 X 2 X 1-1/4	48.3	48.3	53.3
2 X 2 X 1	43.9	43.9	51.3
2 X 2 X 3/4	40.6	40.6	50
2 X 2 X 1/2	37.9	37.9	47.8
2 X 1-1/2 X 2	57.2	54.8	57.2
2 X 1-1/2 X 1-1/2	51.3	49.3	54.9
2 X 1-1/2 X 1-1/4	48.3	46.2	53.3
2 X 1-1/2 X 1	43.9	41.9	51.3
2 X 1-1/4 X 2	57.2	53.3	57.2
2 X 1-1/4 X 1-1/2	51.3	47.8	54.9
2 X 1-1/4 X 1-1/4	48.3	44.5	53.3
2 X 1 X 2	57.2	51.3	57.2
2 X 1 X 1-1/2	51.3	45.7	54.9
2 X 3/4 X 2	57.2	50	57.2
2 X 1/2 X 2	57.2	47.8	57.2
1-1/2 X 1-1/2 X 2	54.9	54.9	51.3
1-1/4 X 1-1/4 X 2	53.3	58.3	48.3
1 X 1 X 2	51.3	51.3	48.9
2-1/2 X 2-1/2 X 2	60.7	60.7	66
2-1/2 X 2-1/2 X 1-1/2	54.9	54.9	63.8
2-1/2 X 2-1/2 X 1-1/4	51.8	51.8	62.2
2-1/2 X 2-1/2 X 1	47.5	47.5	60.2

## REDUCING TEE

Class :- 150

Size: - 1/8" ~ 6"

Thread Type: - BSP, NPT



Main Size:

Unit: MM

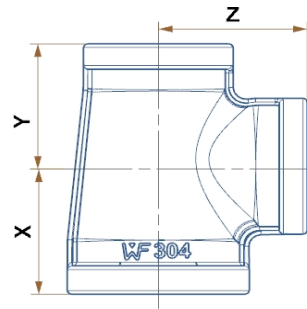
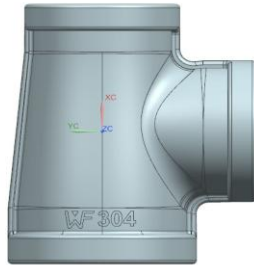
Size	X	Y	Z
2-1/2 X 2-1/2 X 3/4	44.2	44.2	58.9
2-1/2 X 2 X 2-1/2	68.6	66	68.6
2-1/2 X 2 X 2	60.7	57.2	66
2-1/2 X 1-1/2 X 2-1/2	68.6	63.8	68.6
2-1/2 X 1-1/2 X 2	60.7	54.9	66
2 X 2 X 2-1/2	66	66	60.7
3 X 3 X 2-1/2	71.9	71.9	76
3 X 3 X 2	64	64	73.4
3 X 3 X 1-1/2	58.2	58.2	71.1
3 X 3 X 1-1/4	55.1	55.1	69.6
3 X 3 X 1	50.8	50.8	67.6
3 X 3 X 3/4	47.5	47.5	66.3
3 X 2-1/2 X 3	78.2	76	78.2
3 X 2-1/2 X 2-1/2	71.9	68.6	76
3 X 2-1/2 X 2	64	60.7	73.4
3 X 2 X 3	78.2	73.4	78.2
3 X 2 X 2	64	57.2	73.4
2-1/2 X 2-1/2 X 3	76	76	71.9
3-1/2 X 3-1/2 X 2-1/2	74.4	74.4	82.3
4 X 4 X 3	83.8	83.8	91.4
4 X 4 X 2-1/2	77.5	77.5	89.2
4 X 4 X 2	69.6	69.6	86.6
4 X 4 X 1-1/2	63.8	63.8	84.3
4 X 3 X 4	96.3	91.4	96.3

## REDUCING TEE

Class :- 150

Size: - 1/8" ~ 6"

Thread Type: - BSP, NPT



Main Size:

Unit: MM

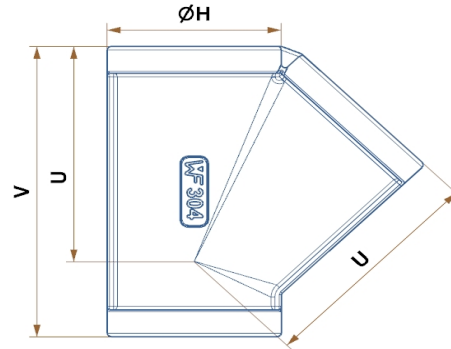
Size	X	Y	Z
3 X 3 X 4	91.4	91.4	83.8
5 X 5 X 3	89.2	89.2	107.2
6 X 6 X 4	104.9	104.9	125.5
6 X 6 X 3	92.5	92.5	120.7
6 X 6 X 2-1/2	86.1	86.1	118.4
6 X 6 X 2	78.2	78.2	115.8

## 45° Y-BRANCH (STRAIGHT SIZES)

Class :- 150

Size: - 1/8" ~ 6"

Thread Type: - BSP, NPT



**Main Size:**

**Unit: MM**

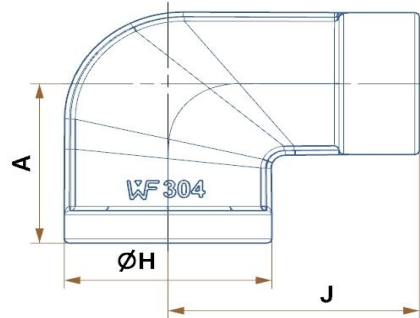
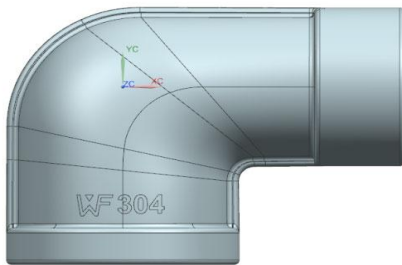
Size	DN	ØH	U	V
3/8"	10	25.8	36.3	49
1/2"	15	30.4	43.4	58.9
3/4"	20	37	52.1	70.4
1"	25	45	61.7	83.3
1-1/4"	32	54.7	74.2	100.1
1-1/2"	40	61.6	83.3	111.3
2"	50	75.3	99.8	131.3
2-1/2"	65	91.2	120.1	158.8
3"	80	108.8	141	184.4
4"	100	137.2	177	228.1

## 90° STREET ELBOW

Class :- 150

Size: - 1/8" ~ 6"

Thread Type: - BSP, NPT



**Main Size:**

**Unit: MM**

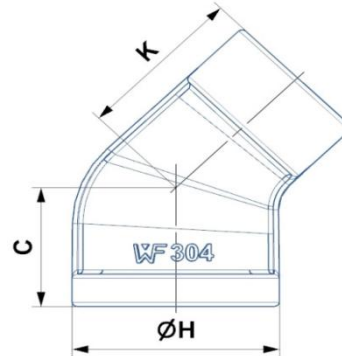
Size	DN	ØH	A	J
1/8"	6	17.6	17.5	25.4
1/4"	8	21.4	20.6	30.2
3/8"	10	25.8	24.1	36.6
1/2"	15	30.4	28.5	41.2
3/4"	20	37	33.3	48
1"	25	45	38.1	54.4
1-1/4"	32	54.7	44.5	62.2
1-1/2"	40	61.6	49.3	68.3
2"	50	75.3	57.2	82.8
2-1/2"	65	91.2	68.6	98
3"	80	108.8	78.2	114.6
4"	100	137.2	96.3	144.5
5"	125	167.2	114.3	174.2
6"	150	197.4	130.3	204

## 45° STREET ELBOW

Class :- 150

Size: - 1/8" ~ 6"

Thread Type: - BSP, NPT



**Main Size:**

**Unit: MM**

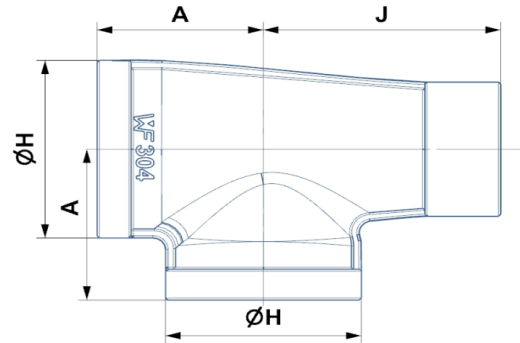
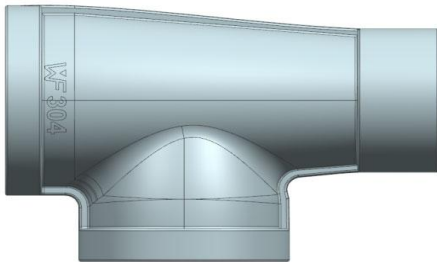
Size	DN	ØH	C	K
1/4"	8	21.4	18.5	23.9
3/8"	10	25.8	20.3	26.2
1/2"	15	30.4	22.4	29.2
3/4"	20	37	24.9	32.8
1"	25	45	28.5	37.3
1-1/4"	32	54.7	32.8	43.4
1-1/2"	40	61.6	36.3	47.8
2"	50	75.3	42.7	56.4
2-1/2"	65	91.2	49.5	65.3
3"	80	108.8	55.1	76.2
4"	100	137.2	66.3	94

# STREET TEE

Class :- 150

Size: - 1/8" ~ 6"

Thread Type: - BSP, NPT



**Main Size:**

**Unit: MM**

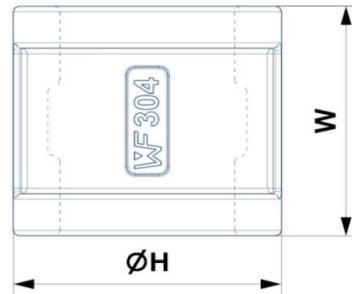
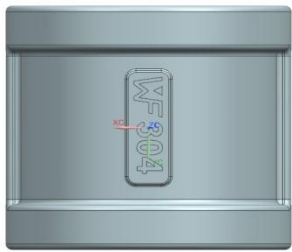
Size	DN	ØH	A	J
1/4"	8	21.4	20.6	30.2
3/8"	10	25.8	24.1	36.6
1/2"	15	30.4	28.5	41.2
3/4"	20	37	33.3	48
1"	25	45	38.1	54.4
1-1/4"	32	54.7	44.5	62.2
1-1/2"	40	61.	49.3	68.3
2"	50	75.3	57.2	82.8
4"	100	137.2	96.3	144.5

## STRAIGHT COUPLINGS

Class :- 150

Size: - 1/8" ~ 6"

Thread Type: - BSP, NPT



Main Size:

Unit: MM

Size	DN	ØH	W
1/8"	6	17.6	24.2
1/4"	8	21.4	26.9
3/8"	10	25.8	29.5
1/2"	15	30.4	34
3/4"	20	37	38.6
1"	25	45	42.4
1-1/4"	32	54.7	49
1-1/2"	40	61.6	54.6
2"	50	75.3	64.3
2-1/2"	65	91.2	73.2
3"	80	108.8	80.8
4"	100	137.2	93.7

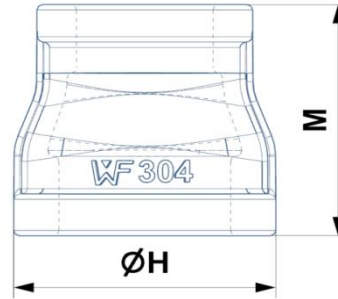
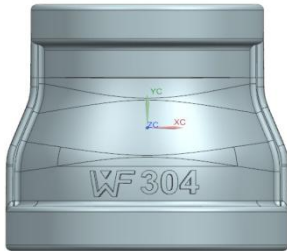


## REDUCING SIZES COUPLINGS

Class :- 150

Size: - 1/8" ~ 6"

Thread Type: - BSP, NPT



Main Size:

Unit: MM

Size	DN	ØH	M
1/4"	8	21.4	25.4
3/8"	10	25.8	28.7
1/2"	15	30.4	31.8
3/4"	20	37	36.6
1"	25	45	42.9
1-1/4"	32	54.7	52.3
1-1/2"	40	61.6	58.7
2"	50	75.3	71.4
2-1/2"	65	91.2	82.6
3"	80	108.8	93.7
4"	100	137.2	111.3

## CAP TYPE I

Class :- 150

Size: - 1/8" ~ 6"

Thread Type: - BSP, NPT



Main Size:

Unit: MM

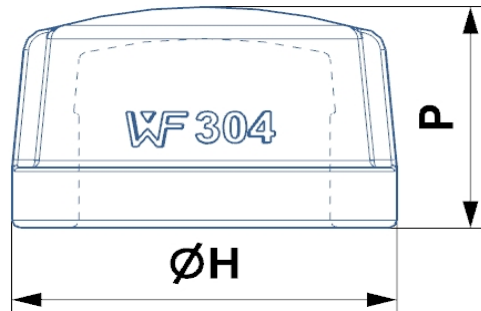
Size	DN	ØH	P
1/8"	6	17.6	13.5
1/4"	8	21.4	16
3/8"	10	25.8	18.8
1/2"	15	30.4	22.1
3/4"	20	37	24.6
1"	25	45	29.5
1-1/4"	32	54.7	32.5
1-1/2"	40	61.6	33.8
2"	50	75.3	36.8
2-1/2"	65	91.3	43.2
3"	80	108.8	45.7
3-1/2"	90	123	48.3
4"	100	137.2	52.8
5"	125	167.2	58.9
6"	150	197.3	64.8

## CAP TYPE II

Class :- 150

Size: - 1/8" ~ 6"

Thread Type: - BSP, NPT



Main Size:

Unit: MM

Size	DN	ØH	P
1/8"	6	17.6	13.5
1/4"	8	21.4	16
3/8"	10	25.8	18.8
1/2"	15	30.4	22.1
3/4"	20	37	24.6
1"	25	45	29.5
1-1/4"	32	54.7	32.5
1-1/2"	40	61.6	33.8
2"	50	75.3	36.8
2-1/2"	65	91.3	43.2
3"	80	108.8	45.7
3-1/2"	90	123	48.3
4"	100	137.2	52.8
5"	125	167.2	58.9
6"	150	197.3	64.8

## CAP TYPE III

Class :- 150

Size: - 1/8" ~ 6"

Thread Type: - BSP, NPT



Main Size:

Unit: MM

Size	DN	ØH	P
1/8"	6	17.6	13.5
1/4"	8	21.4	16
3/8"	10	25.8	18.8
1/2"	15	30.4	22.1
3/4"	20	37	24.6
1"	25	45	29.5
1-1/4"	32	54.7	32.5
1-1/2"	40	61.6	33.8
2"	50	75.3	36.8
2-1/2"	65	91.3	43.2
3"	80	108.8	45.7
3-1/2"	90	123	48.3
4"	100	137.2	52.8
5"	125	167.2	58.9
6"	150	197.3	64.8

## CAP TYPE IV

Class :- 150

Size: - 1/8" ~ 6"

Thread Type: - BSP, NPT



Main Size:

Unit: MM

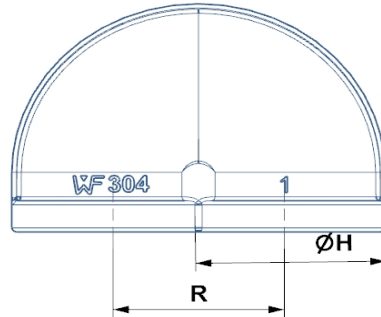
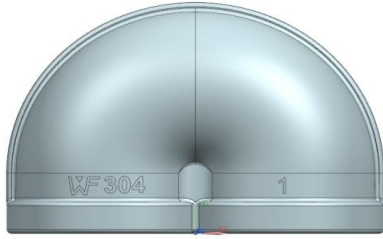
Size	DN	ØH	P
1/8"	6	17.6	13.5
1/4"	8	21.4	16
3/8"	10	25.8	18.8
1/2"	15	30.4	22.1
3/4"	20	37	24.6
1"	25	45	29.5
1-1/4"	32	54.7	32.5
1-1/2"	40	61.6	33.8
2"	50	75.3	36.8
2-1/2"	65	91.3	43.2
3"	80	108.8	45.7
3-1/2"	90	123	48.3
4"	100	137.2	52.8
5"	125	167.2	58.9
6"	150	197.3	64.8

## CLOSED BENDS

Class :- 150

Size: - 1/8" ~ 6"

Thread Type: - BSP, NPT



**Main Size:**

**Unit: MM**

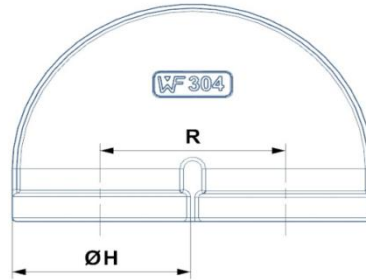
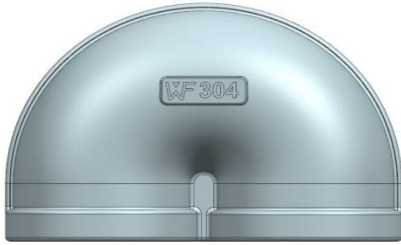
Size	DN	ØH	R
1/2"	15	30.4	25.4
3/4"	20	37	31.6
1"	25	45	38.1
1-1/4"	32	54.7	44.5
1-1/2"	40	61.6	55.6
2"	50	75.3	66.8

## MEDIUM BENDS

Class :- 150

Size: - 1/8" ~ 6"

Thread Type: - BSP, NPT



Main Size:

Unit: MM

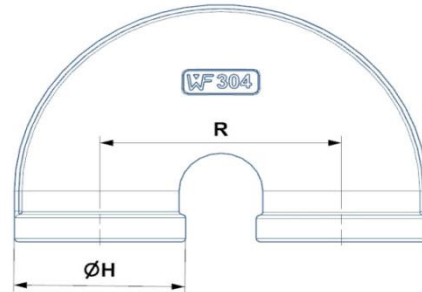
Size	DN	ØH	R
1/2"	15	30.4	31.8
3/4"	20	37	38.1
1"	25	45	47.6
1-1/4"	32	54.7	57.2
1-1/2"	40	61.6	63.5
2"	50	75.3	76.2

## OPEN BENDS

Class :- 150

Size: - 1/8" ~ 6"

Thread Type: - BSP, NPT



**Main Size:**

**Unit: MM**

Size	DN	ØH	R
1/2"	15	30.4	38.1
3/4"	20	37	50.8
1"	25	45	63.5
1-1/4"	32	54.7	76.2
1-1/2"	40	61.6	88.9
2"	50	75.3	101.6
2-1/2"	65	91.2	114.3
3"	80	108.8	127
4"	100	137.2	152.4

SOURCE: OMEGA TECHNOCAST



**Contact Details:** +91 93214 03074

**Email ID:** [info@amplealloys.com](mailto:info@amplealloys.com)

**Address:** Ground floor, Plot No #205/219 A- Wing,  
Godiji Building, Kika Street, Gulalwadi Kalbadevi  
Mumbai - 400002